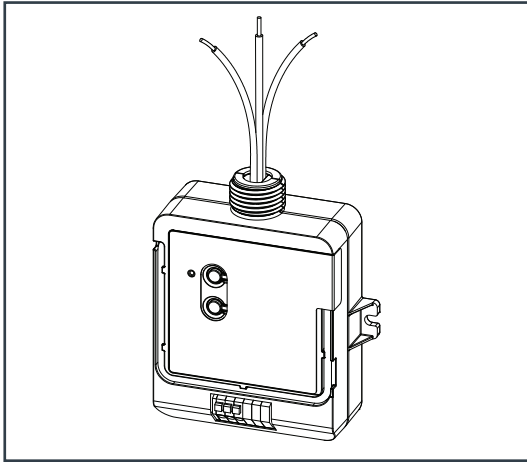


20AMP PLUG LOAD CONTROLLER (AL-20A-PLC)



APPLICATIONS

- Small offices
- Conference rooms
- Lounges
- Classrooms

SPECIFICATIONS

ELECTRICAL	
Regulatory Approvals	<ul style="list-style-type: none"> • UL₅₀₈ 508 Listed (USA) • FCC approved. Complies with the limits for a Class B device, pursuant to Part 15 of the FCC rules (USA) • IC and CSA (Canada) • NOM and COFETEL (Mexico) • Complies with requirements for use in other spaces used for environmental air (plenum) per NEC₂₀₁₄ 300.22(C)(3) • Listed in accordance to CAN/ULC S102.2-2010 with a Flame Spread Rating of 0 and a Smoke Developed Classification of 40, with a minimum spacing of 6ft (1.83m) off center
Power / Load	<ul style="list-style-type: none"> • Operating voltage: 120 – 277V \ominus 50/60Hz • Standby power consumption < 1.25W • 20A: No minimum load requirements • Load types include (but are not limited to): Incandescent, MLV, ELV, Resistive, Inductive • Motor rating: 1.0HP (120V \ominus), 2.0HP (240–277V \ominus) • Able to control 20A of receptacles • The 20A plug load controller may be used with (but not limited to): monitors, fans, printers, humidifiers (Note: refer to manufacturer's guidelines for acceptable switching methods) • The 20A plug load controller may NOT be suitable for use with devices that require any of the following: <ul style="list-style-type: none"> – Shut-down process before power is interrupted, such as computers. – Cool-down process before power is interrupted, such as projectors. – Programming, such as clocks or DVRs. – Long warm-up cycle. • Not for use with loads that present a hazard if automatically energized. For example, heaters. • Any receptacles that are controlled by an automatic control device must be marked with "Ⓢ" located on the controlled receptacle outlet where visible after installation as stated in 2014 NECR Article 406.3(E).
ENVIRONMENTAL	
Ambient Operating Temperature	32°F to 131°F (0°C to 40°C), 0%–90% humidity, non-condensing; indoor use only
OTHER	
Range	<ul style="list-style-type: none"> • RF range is 30ft (9m) • Utilizes Lutron Clear Connect RF Technology
Warranty	Limited Five-Year Warranty



OVERVIEW

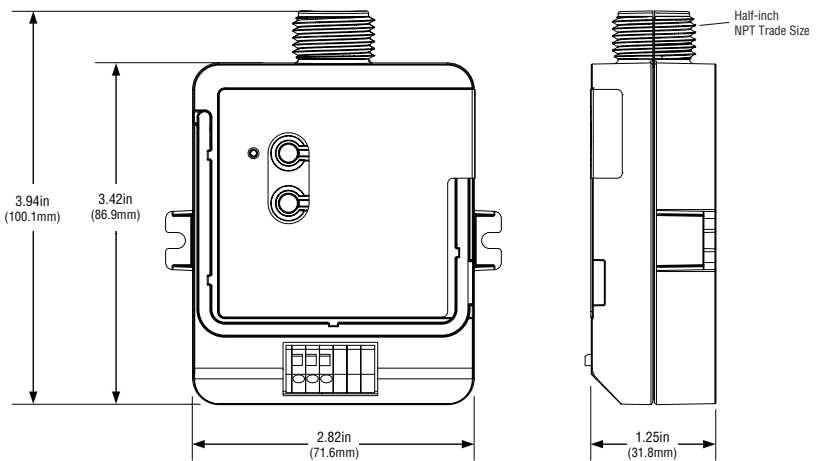
The 20AMP plug load controller is a radio-frequency (RF), receptacle switching solution that is capable of controlling 20A receptacles based on input from wireless switches and ceiling-mounted wireless occupancy sensors. Communication with RF input devices, such as wireless switches and/or ceiling-mounted wireless occupancy/vacancy sensors, is accomplished using Lutron Clear Connect RF Technology.

All wireless controls are also compatible with the wireless hub which enables a simple setup process using a standard web browser on any Wi-Fi enabled phone, tablet or computer. The hub also enables control and monitoring of all wireless devices.

FEATURES

- Able to control 20A receptacles
- Capable of switching general-purpose loads
- Receives wireless inputs from 10 wireless switches and 10 ceiling-mounted wireless occupancy/vacancy sensors
- Mounts to a U.S. style junction box through a standard size knockout
- Heavy duty mechanically held, latching relays, with silver alloy contacts
- Zero cross switching
- Includes required controlled outlet labels for code compliance
- Provides a fail safe mechanism to turn on the output in the event of a missing sensor
- LED status indicator shows current load status and provides programming feedback
- Power failure memory: If power is interrupted, connected receptacles will return to the state prior to the power interruption
- Zero cross switching and heavy-duty relays
- Patented Softswitch circuit eliminates relay arcing at mechanical contacts, output is non-latching

DIMENSIONS

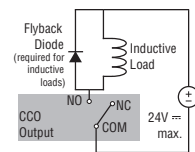


OTHER CNT

Contact Closure Output (CCO version only)

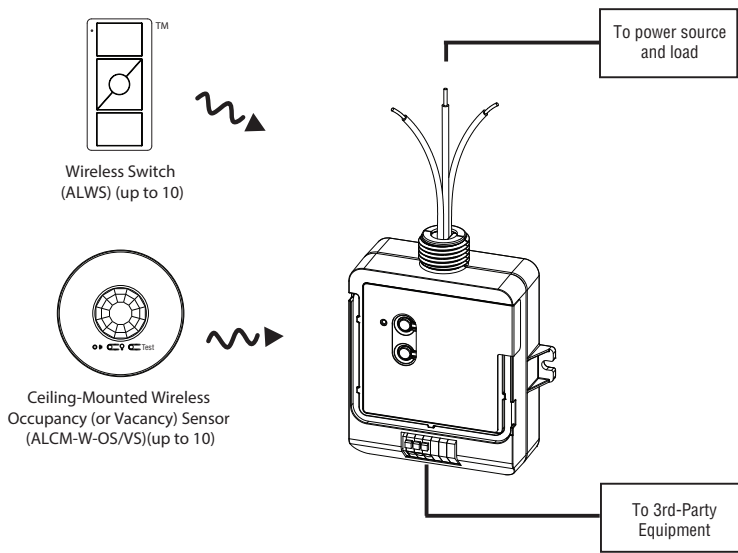
- Provides occupancy status to 3rd-party equipment such as building management systems, HVAC, and VAV controllers
- Provides both normally open (MNO) and normally closed (NC) dry contacts
- Maintained output type
- CCO terminals accept 20 to 16AWG (0.5 to 1.5mm²) solid or stranded wire
- Output is latching
- Not for voltages greater than 24V
- The CCO is not rated to control unclamped inductive loads. Inductive loads include, but are not limited to: relays, solenoids, and motors. To control these types of equipment, a flyback diode must be used (DC voltages only)

Switching Voltage	Resistive Load
0-24V \equiv	1.0A
0-24V \ominus	0.5A



20AMP PLUG LOAD CONTROLLER (AL-20A-PLC)

SYSTEM DIAGRAM

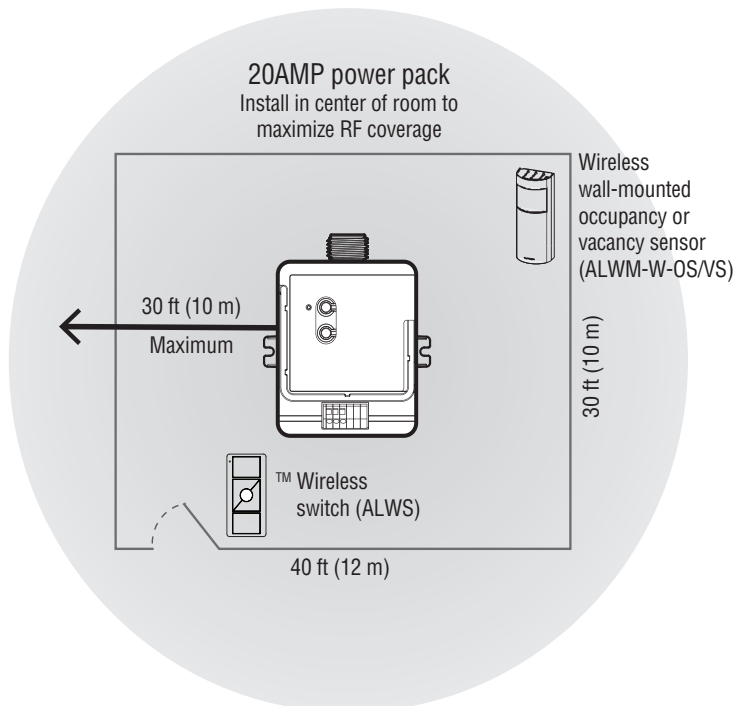


DEFAULT OPERATION

TRANSMITTING DEVICE	TRANSMITTED COMMAND	DEFAULT ACTION
Wireless Switch (ALWS)	On	Close
	Off	Open
	Raise	No Action
	Lower	No Action
	Preset	Close
Ceiling-Mounted Wireless Occupancy Sensor (ALCM-W-OS)	Occupied	Close
	Unoccupied	Open
Ceiling-Mounted Wireless Vacancy Sensor (ALCM-W-VS)	Occupied	Close
	Unoccupied	Open

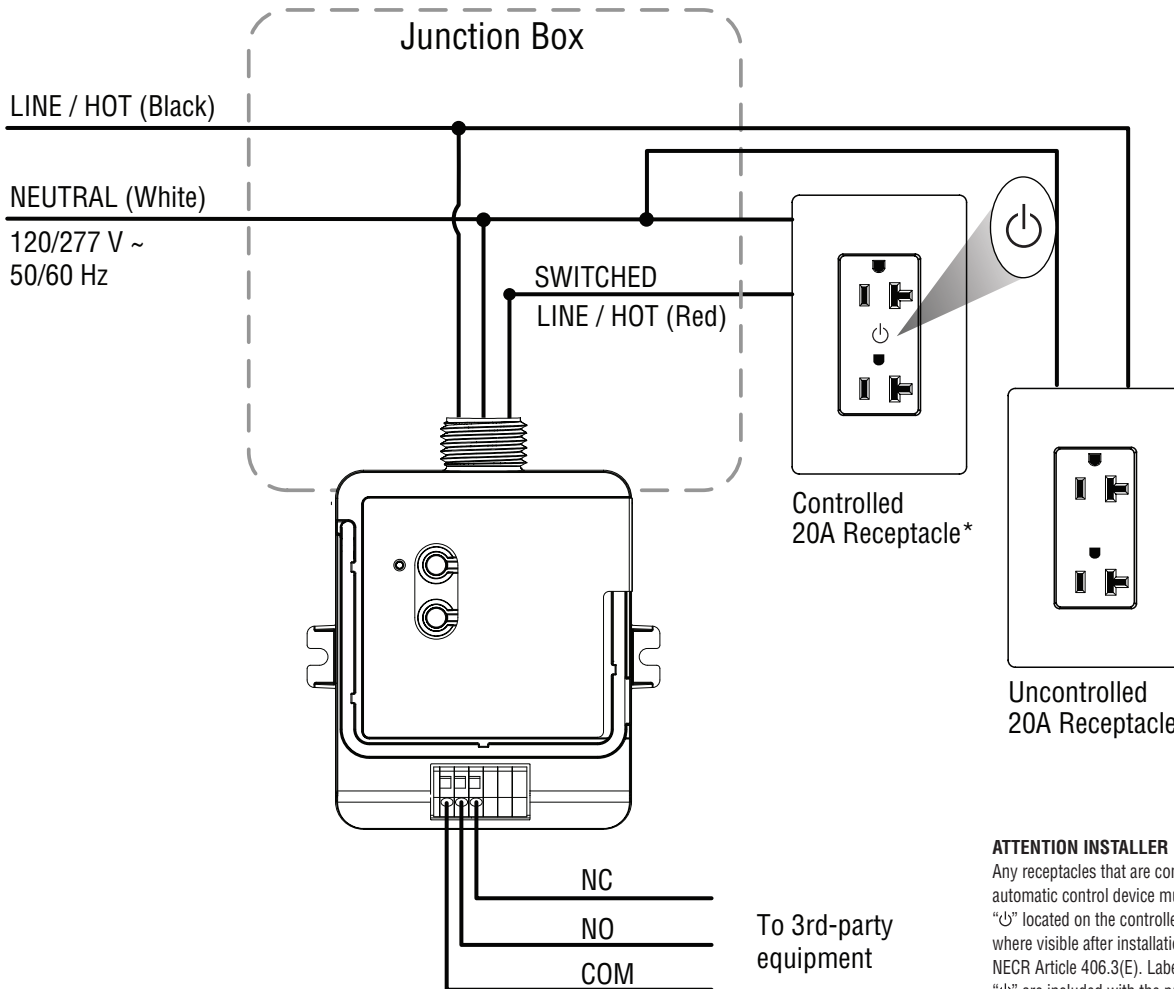
Note: Unaffected Mode allows a system with an Occupancy sensor associated to multiple relay modules to be set up such that only selected loads turn on automatically. Other loads will require a manual turn-on with a wireless switch. All loads will turn off automatically when the room is vacated. See the 20A plug load controller installation guide for more information on Unaffected Mode.

RANGE DIAGRAM



20AMP PLUG LOAD CONTROLLER (AL-20A-PLC)

WIRING DIAGRAM FOR DUPLEX RECEPTACLE



ATTENTION INSTALLER

Any receptacles that are controlled by an automatic control device must be marked with "⏻" located on the controlled receptacle outlet where visible after installation as stated in 2014 NECR Article 406.3(E). Labels with this marking "⏻" are included with the product.

NOTE: Do not connect the CCO to ground.

NOTE: Some applications (in USA) require the module to be installed inside an additional junction box.

*WARNING - ENTRAPMENT/FIRE HAZARD



To avoid the risk of entrapment, serious injury, or death, these controls must not be used to control equipment which is not visible from every control location or which could create hazardous situations such as entrapment if operated accidentally. Examples of such equipment which must not be operated by these controls include (but are not limited to) motorized gates, industrial doors, space heaters, etc. It is the installer's responsibility to ensure that the equipment being controlled is visible from every control location and that only suitable equipment is connected to these controls. Failure to do so could result in serious injury or death.



Project Name _____ Catalog # _____

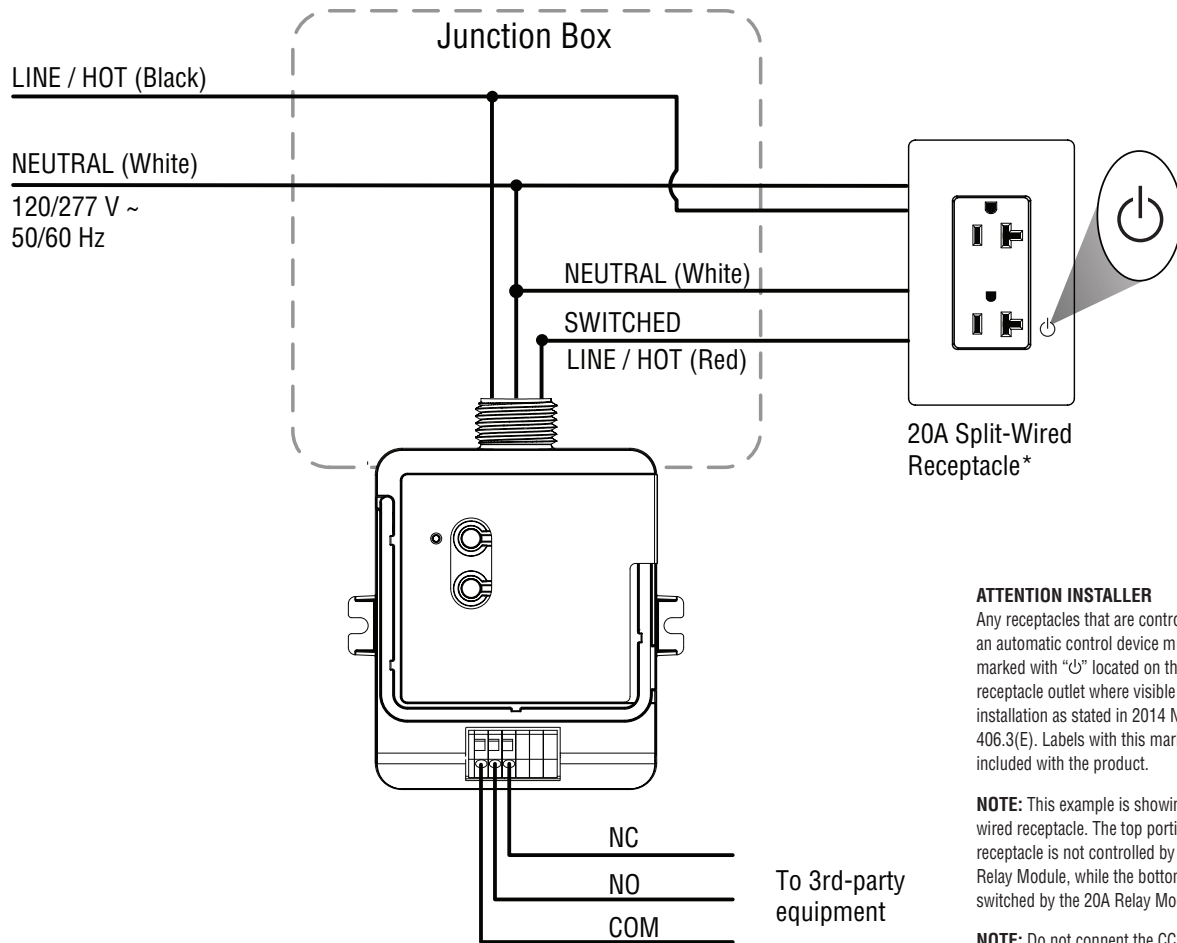
1-800-436-7800 (Support, Option 8) www.lsi-airlink.com

04/25/17

© 2017
LSI INDUSTRIES INC.

20AMP PLUG LOAD CONTROLLER (AL-20A-PLC)

WIRING DIAGRAM FOR SPLIT-WIRED DUPLEX RECEPTACLE



ATTENTION INSTALLER

Any receptacles that are controlled by an automatic control device must be marked with "⏻" located on the controlled receptacle outlet where visible after installation as stated in 2014 NECR Article 406.3(E). Labels with this marking "⏻" are included with the product.

NOTE: This example is showing a split-wired receptacle. The top portion of the receptacle is not controlled by the 20A Relay Module, while the bottom portion is switched by the 20A Relay Module.

NOTE: Do not connect the CCO to ground.

NOTE: Some applications (in USA) require the module to be installed inside an additional junction box.

*WARNING - ENTRAPMENT/FIRE HAZARD



To avoid the risk of entrapment, serious injury, or death, these controls must not be used to control equipment which is not visible from every control location or which could create hazardous situations such as entrapment if operated accidentally. Examples of such equipment which must not be operated by these controls include (but are not limited to) motorized gates, industrial doors, space heaters, etc. It is the installer's responsibility to ensure that the equipment being controlled is visible from every control location and that only suitable equipment is connected to these controls. Failure to do so could result in serious injury or death.

ORDERING INFORMATION

PART NO.	CAT. NO.	DESCRIPTION
624097	AL-20A-PLC	20AMP Plug Load Controller
655228	AL-20A-PLC-CC	20AMP Plug Load Controller, contact closure output

Lutron, Softswitch and Clear Connect are trademarks of Lutron Electronics Co., Inc., registered in the U.S. and other countries, used under license. The designs of the Pico wireless remote control and the wireless hub shown in this document are trademarks of Lutron Electronics Co., Inc., used under license.

NEC is a registered trademark of the National Fire Protection Association, Quincy, Massachusetts.



Project Name _____ Catalog # _____

1-800-436-7800 (Support, Option 8) www.lsi-airlink.com

04/25/17

© 2017
LSI INDUSTRIES INC.