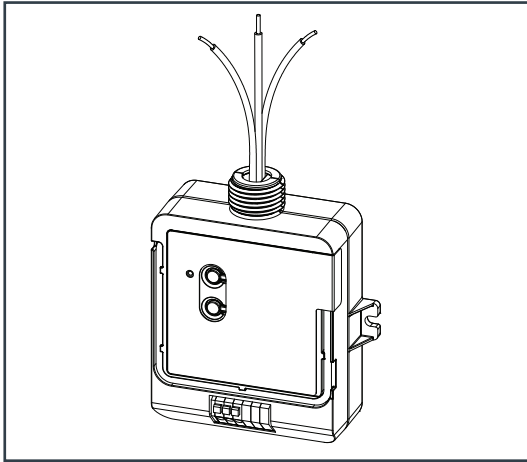


# 24V POWER PACK WITH CONTACT CLOSURE OUTPUT (AL-24V-CC)



## AIRLINK™ 24V POWER PACK (AL-24V-PP)

The 24V power pack is a low-voltage radio frequency (RF) controller that provides a single dry contact closure output based on input from wireless switches and ceiling-mounted wireless occupancy, vacancy and daylight sensors. It can be powered by 24 V $\ominus$  or 24 V $\equiv$  for easy connection and integration into building management, HVAC, VAV, and other 3rd-party systems. Communication with RF input devices, such as wireless switches and ceiling-mounted wireless sensors, is accomplished using Lutron Clear Connect RF Technology.

All wireless controls are also compatible with the wireless hub which enables a simple setup process using a standard web browser on any Wi-Fi enabled phone, tablet or computer. The hub also enables control and monitoring of all devices. The hub can be added at any time. System reprogramming required.

### FEATURES

- Single contact closure output including both normally open (NO) and normally closed (NC) dry contacts
- Maintained output type
- Operates at 24 V $\ominus$  or 24 V $\equiv$
- Receives wireless inputs from up to 10 wireless switches, 10 ceiling-mounted wireless occupancy/vacancy sensors and 1 daylight sensor
- Screw tabs provided for surface mounting (recommended); or mounts to a U.S style junction box through a standard size knockout

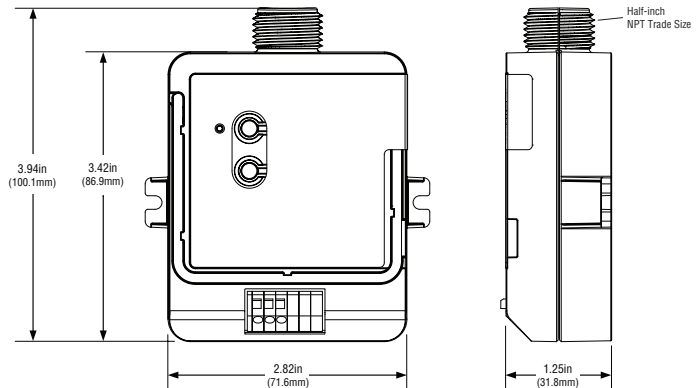
### APPLICATIONS

- Small offices • Conference rooms • Lounges • Classrooms

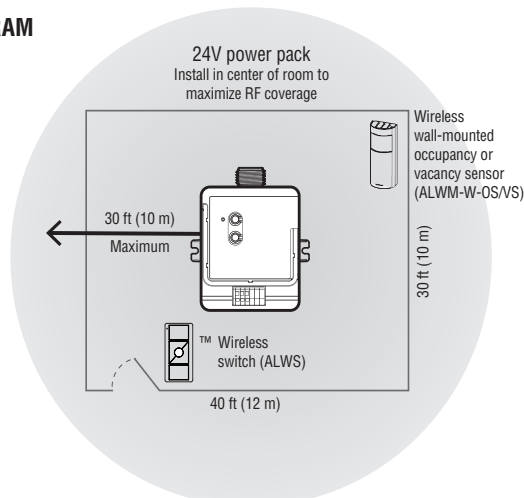
### SPECIFICATIONS

ELECTRICAL							
Regulatory Approvals	<ul style="list-style-type: none"> <li>• UL<math>\circledast</math> Listed (U.S.A.)</li> <li>• FCC approved. Complies with the limits for a Class B device, pursuant to Part 15 of the FCC rules.(U.S.A.)</li> <li>• Complies with requirements for use in other spaces used for environmental air (plenums) per NEC<math>\circledast</math> 2014 300.22(C)(3)</li> <li>• Listed in accordance to CAN/ULC S102.2-2010 with a Flame Spread Rating of 0 and a Smoke Developed Classification of 40, with a minimum spacing of 6 ft (1.83 m) off center</li> <li>• CSA and IC (Canada) (RMJS- only)</li> <li>• COFETEL (Mexico) (RMJS- only)</li> </ul>						
Power / Load	<ul style="list-style-type: none"> <li>• IEC PELV / NEC<math>\circledast</math> Class 2</li> <li>• Operating voltage: 24 V<math>\ominus</math> / 24 V<math>\equiv</math></li> <li>• Operating current, nominal: 45 mA (24 V<math>\ominus</math>) 35 mA (24 V<math>\equiv</math>)</li> <li>• Standby Power Consumption (all models): &lt; 1.0 W</li> </ul>						
ENVIRONMENTAL							
Ambient Operating Temperature	32°F to 131°F (0°C to 55°C), 0%–90% humidity, non-condensing; indoor use only						
OTHER							
Contact Closure Output (CCO version only)	<ul style="list-style-type: none"> <li>• Accepts input voltages of 0–24 V<math>\ominus</math> / 0–24 V<math>\equiv</math>; see chart below for load switching capacities</li> <li>• Provides both normally open (NO) and normally closed (NC) dry contacts</li> <li>• Maintained output type</li> <li>• CCO terminals accept 20 AWG to 16 AWG (0.5 mm<math>^2</math> to 1.5 mm<math>^2</math>) solid or stranded wire</li> <li>• Output is latching</li> <li>• The CCO is not rated to control unclamped, inductive loads. Inductive loads include, but are not limited to, relays, solenoids, and motors. To control these types of equipment, a flyback diode must be used (DC voltages only). See diagram below.</li> </ul>						
	<table border="1"> <thead> <tr> <th>Switching Voltage</th> <th>Resistive Load</th> </tr> </thead> <tbody> <tr> <td>0-24V<math>\equiv</math></td> <td>1.0A</td> </tr> <tr> <td>0-24V<math>\ominus</math></td> <td>0.5A</td> </tr> </tbody> </table>	Switching Voltage	Resistive Load	0-24V $\equiv$	1.0A	0-24V $\ominus$	0.5A
Switching Voltage	Resistive Load						
0-24V $\equiv$	1.0A						
0-24V $\ominus$	0.5A						
Warranty	Limited Five-Year Warranty						

### DIMENSIONS

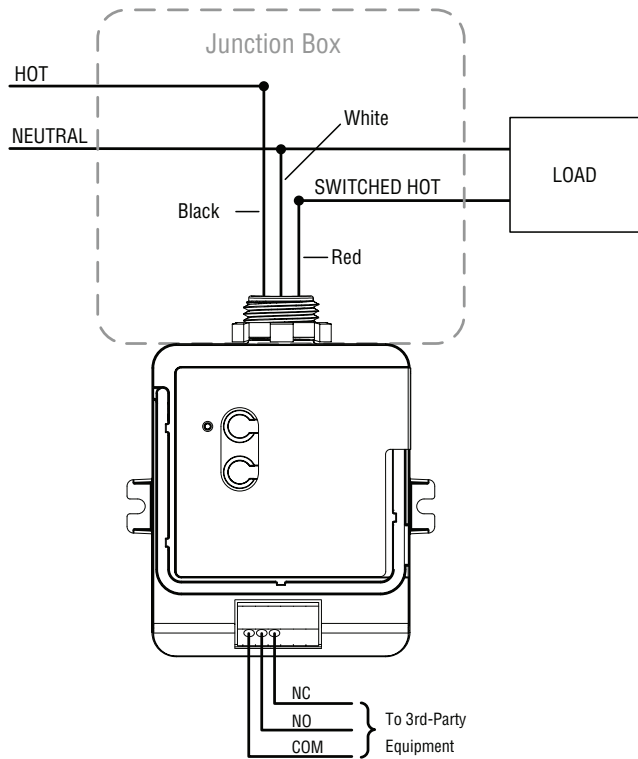


### RANGE DIAGRAM



# 24V POWER PACK WITH CONTACT CLOSURE OUTPUT (AL-24V-CC)

## WIRING DIAGRAM



### \*WARNING - ENTRAPMENT/FIRE HAZARD

To avoid the risk of entrapment, serious injury, or death, these controls must not be used to control equipment which is not visible from every control location or which could create hazardous situations such as entrapment if operated accidentally. Examples of such equipment which must not be operated by these controls include (but are not limited to) motorized gates, industrial doors, space heaters, etc. It is the installer's responsibility to ensure that the equipment being controlled is visible from every control location and that only suitable equipment is connected to these controls. Failure to do so could result in serious injury or death.

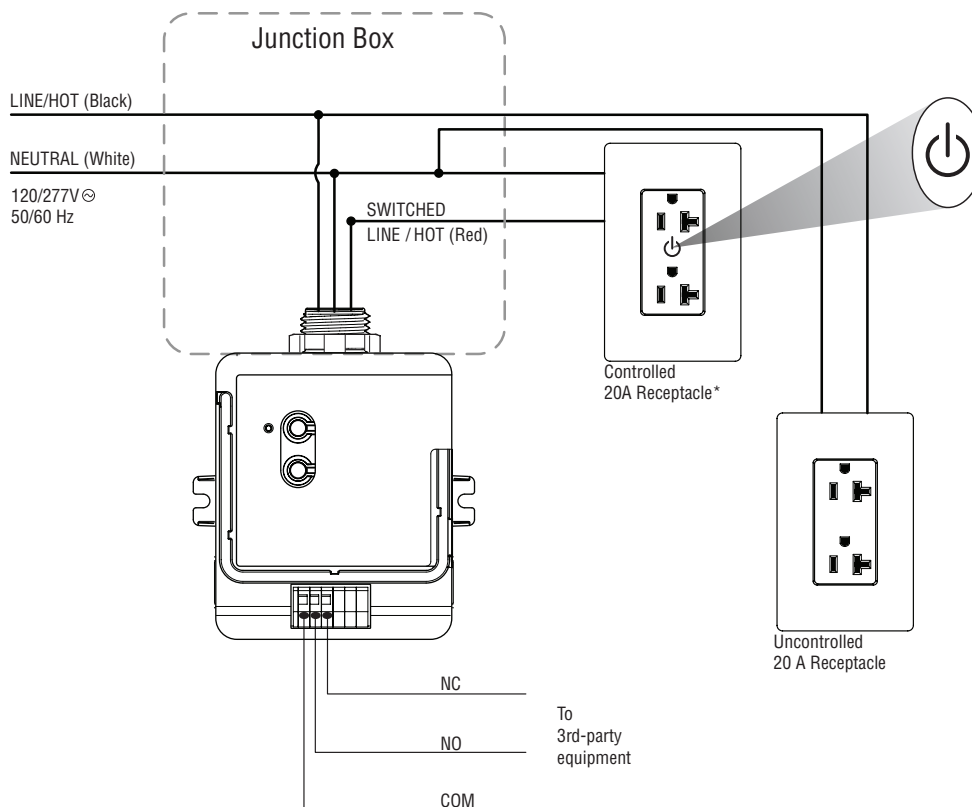
### ATTENTION INSTALLER

Any receptacles that are controlled by an automatic control device must be marked with "⏻" located on the controlled receptacle outlet where visible after installation as stated in 2014 NECR Article 406.3(E). Labels with this marking "⏻" are included with the product.

**NOTE:** Do not connect the CCO to ground.

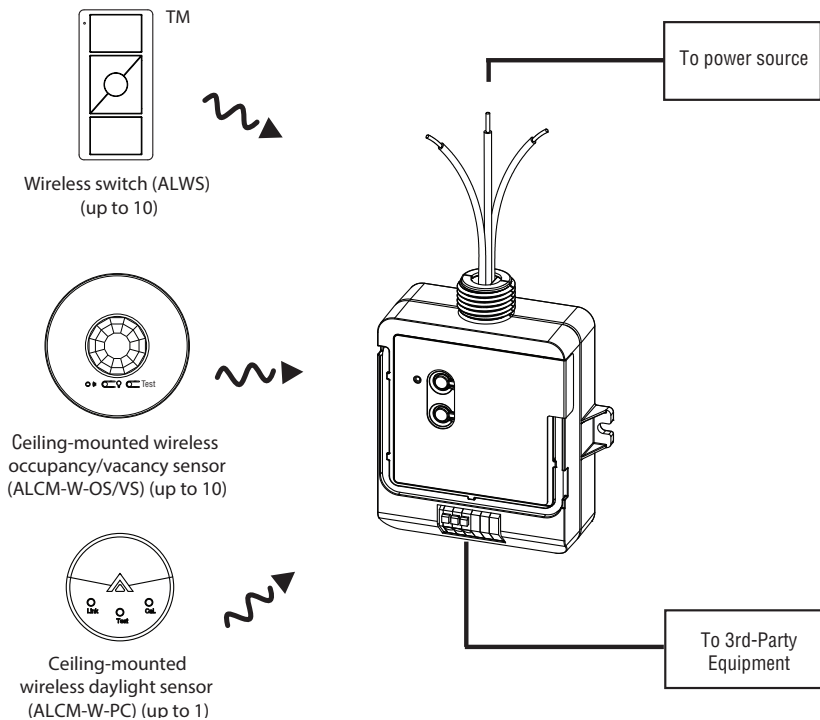
**NOTE:** Some applications (in USA) require the module to be installed inside an additional junction box.

## WIRING DIAGRAM FOR DUPLEX RECEPTACLE



# 24V POWER PACK WITH CONTACT CLOSURE OUTPUT (AL-24V-CC)

## SYSTEM DIAGRAM



## DEFAULT OPERATION

TRANSMITTING DEVICE	TRANSMITTED COMMAND	CCO DEFAULT ACTION
Wireless Switch	On	NO = Close NC = Open
	Off	NO = Open NC = Close
	Raise / Lower	No Action
	Preset	NO = Close NC = Open
Ceiling-Mounted Wireless Occupancy Sensor	Occupied	NO = Close NC = Open
	Unoccupied	NO = Open NC = Close
Ceiling-Mounted Wireless Vacancy Sensor	Occupied	No Action
	Unoccupied	NO = Open NC = Close
Ceiling-Mounted Wireless Daylight Sensor	Ambient Light Below Target Level	NO = Close NC = Open
	Ambient Light Above Target Level	NO = Open NC = Close

Lutron, Softswitch and Clear Connect are trademarks of Lutron Electronics Co., Inc., registered in the U.S. and other countries, used under license. The designs of the Pico wireless remote control and the wireless hub shown in this document are trademarks of Lutron Electronics Co., Inc., used under license.

## ORDERING INFORMATION (AL-24V-CC)

PART NO.	CAT. NO.	DESCRIPTION
655142	AL-24V-CC	24V power pack with contact closure



Project Name \_\_\_\_\_ Catalog # \_\_\_\_\_

1-800-436-7800 (Support, Option 8) [www.lsi-airlink.com](http://www.lsi-airlink.com)

04/25/17

© 2017  
LSI INDUSTRIES INC.