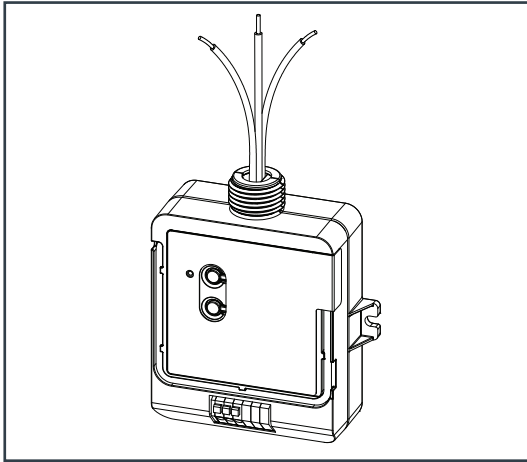


5AMP POWER PACK (AL-5A-PP)



APPLICATIONS

- Small offices • Conference rooms • Lounges • Classrooms

SPECIFICATIONS

ELECTRICAL							
Regulatory Approvals	<ul style="list-style-type: none"> • COFETEL • CSA and IC • Complies with requirements for use in a compartment handling environmental air (plenum) per NEC® 2011 300.22(C)(3) • UL Listed, UL 2043 Plenum Rated, NOM, and FCC Approved. Complies with the limits for a Class B digital device, pursuant to Part 15 of the FCC Rule 						
Power / Load	<ul style="list-style-type: none"> • Operating voltage: 120 – 277V \ominus 50/60 Hz • Maximum load: 5A general purpose. No minimum load requirements • Load types include (but are not limited to): Incandescent, MLV, ELV, Resistive, Inductive, Magnetic fluorescent, Electronic fluorescent • Motor rating: 1/6 HP (120V \ominus), 1/3 HP (277V \ominus) 						
ENVIRONMENTAL							
Ambient Operating Temperature	32°F to 131°F (0°C to 55°C), 0%–90% humidity, non-condensing; indoor use only						
OTHER							
Range	<ul style="list-style-type: none"> • Lutron Clear Connect RF Technology allows for 30ft (10m) of range 						
Softswitch	<ul style="list-style-type: none"> • Lutron's Softswitch circuit eliminates relay arcing at mechanical contacts • Extends relay life to an average of 1 million cycles • Output is non-latching 						
Contact Closure Output (CCO version only)	<ul style="list-style-type: none"> • Provides occupancy status to 3rd-party equipment such as building management systems, HVAC, and VAV controllers • Provides both normally open (MNO) and normally closed (NC) dry contacts • Maintained output type • CCO terminals accept 20 to 16AWG (0.5 to 1.5mm²) solid or stranded wire • Output is latching • Not for voltages greater than 24V • The CCO is not rated to control unclamped inductive loads. Inductive loads include, but are not limited to: relays, solenoids, and motors. To control these types of equipment, a flyback diode must be used (DC voltages only) 						
	<table border="1"> <thead> <tr> <th>Switching Voltage</th> <th>Resistive Load</th> </tr> </thead> <tbody> <tr> <td>0-24V \ominus</td> <td>1.0A</td> </tr> <tr> <td>0-24V \ominus</td> <td>0.5A</td> </tr> </tbody> </table>	Switching Voltage	Resistive Load	0-24V \ominus	1.0A	0-24V \ominus	0.5A
Switching Voltage	Resistive Load						
0-24V \ominus	1.0A						
0-24V \ominus	0.5A						
Warranty	Limited Five-Year Warranty						

AIRLINK™ 5AMP POWER PACK (AL-5A-PP)

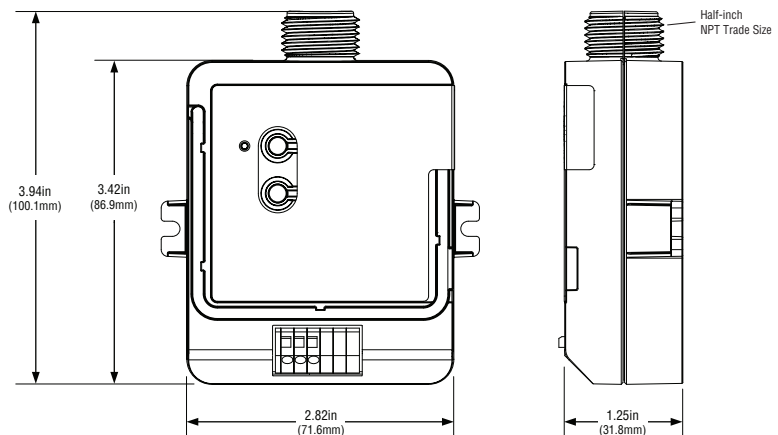
The 5AMP power pack is a radio frequency (RF) device that controls up to 5A of general-purpose load based on input from wireless switches and ceiling-mounted wireless occupancy and daylight sensors. An optional low-voltage dry contact closure output is available to communicate occupancy status to 3rd-party systems such as HVAC controllers. Communication with RF input devices, such as wireless switches and ceiling-mounted wireless sensors, is accomplished using Lutron Clear Connect RF Technology.

All wireless controls are also compatible with the wireless hub which enables a simple setup process using a standard web browser on any Wi-Fi enabled phone, tablet or computer. The hub also enables control and monitoring of all wireless devices.

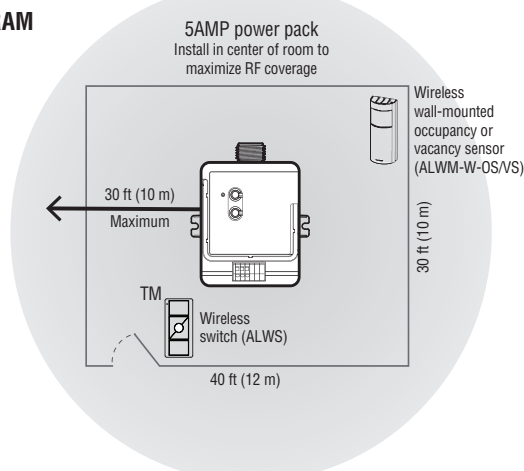
FEATURES

- Capable of switching 5A of general-purpose loads
- Optional low-voltage dry contact closure output provides integration to building management systems, HVAC, VAV, etc.
- Receives wireless inputs from up to 10 wireless switches, 10 ceiling-mounted wireless occupancy/vacancy sensors and 1 ceiling-mounted wireless daylight sensor
- Mounts to a junction box through a standard half-inch (NPT trade size) knockout
- LED status indicator shows current load status and provides programming feedback
- Power failure memory: If power is interrupted, connected loads will return to the previous level prior to interruption
- Daylighting can be overridden by pressing the ON button on any associated wireless switch. Daylighting is re-enabled after 2 hours or after the room become unoccupied

DIMENSIONS



RANGE DIAGRAM

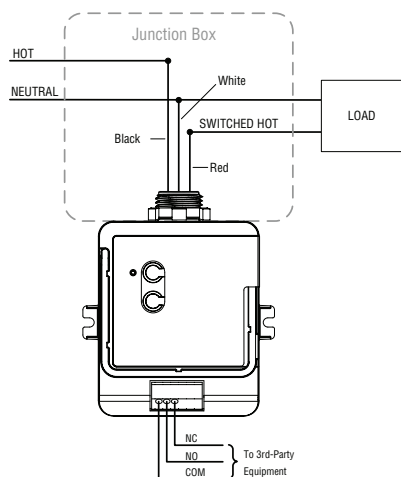


Lutron Clear Connect Wireless



5AMP POWER PACK (AL-5A-PP)

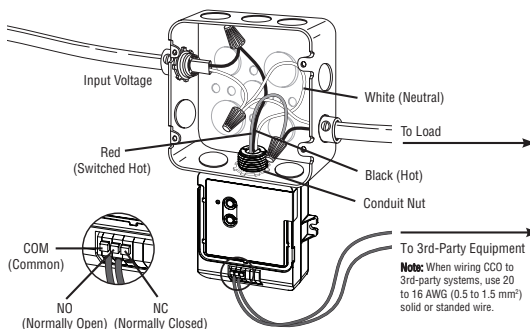
WIRING DIAGRAM



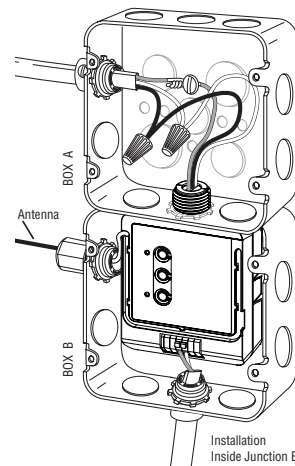
CCO Operation affected only by associated occupancy or vacancy sensors

Room Occupied: NO = Close NC = Open

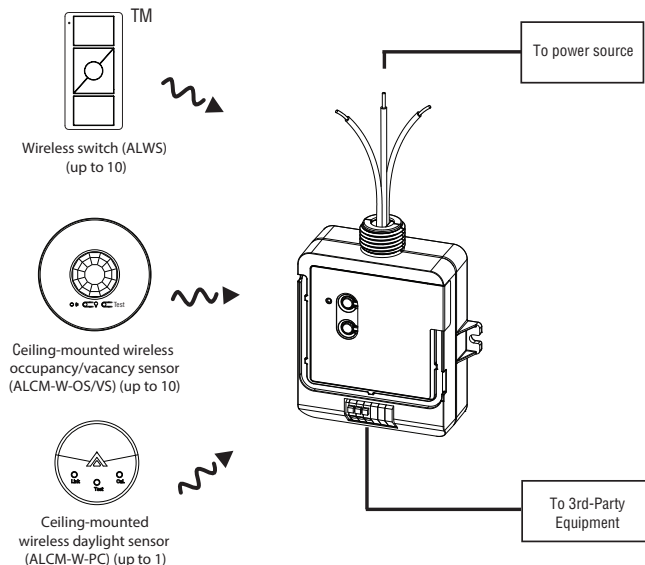
Room Unoccupied: NO = Open NC = Close



In some applications, an the power pack can be installed inside a 4in X 4in (102mm X 102mm) junction box.



SYSTEM DIAGRAM



DEFAULT OPERATION

TRANSMITTING DEVICE	TRANSMITTED COMMAND	LOAD RELAY DEFAULT ACTION	CCO DEFAULT ACTION
Wireless switch	On	Close	No Action
	Off	Open	No Action
	Raise / Lower	No Action	No Action
	Preset	Close	No Action
Ceiling-mounted wireless occupancy sensor	Occupied	Close	NO = Close, NC = Open
	Unoccupied	Open	NO = Open, NC = Closed
Ceiling-mounted wireless vacancy sensor	Occupied	No Action	NO = Close, NC = Open
	Unoccupied	Open	NO = Open, NC = Closed
Ceiling-mounted wireless daylight sensor	Ambient Light Below Target Level	Close	No Action
	Ambient Light Above Target Level	Open	No Action

ORDERING INFORMATION (AL-5A-PP)

PART NO.	CAT. NO.	DESCRIPTION
632641	AL-5A-PP-CC	5AMP power pack, ON/OFF, contact closure output
622559	AL-5A-PP	5AMP power pack, ON/OFF

Lutron, Softswitch and Clear Connect are trademarks of Lutron Electronics Co., Inc., registered in the U.S. and other countries, used under license. The designs of the Pico wireless remote control and the wireless hub shown in this document are trademarks of Lutron Electronics Co., Inc., used under license.



Project Name _____ Catalog # _____

1-800-436-7800 (Support, Option 8) www.lsi-airlink.com

04/25/17

© 2017
LSI INDUSTRIES INC.