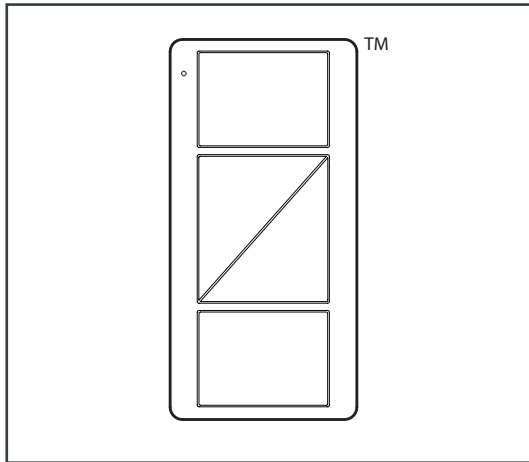


WIRELESS SWITCH – 2 BUTTON (ALWS-2B)



OVERVIEW

The wireless switch is a flexible and easy to use device that allows the user to control wireless load-control devices from anywhere in the space. This battery-operated control requires no external power or communication wiring. The ALWS utilizes Lutron Clear Connect RF Technology for wireless communication.

All wireless controls are also compatible with the Vive wireless hub which enables a simple setup process using a standard web browser on any Wi-Fi enabled phone, tablet or computer. The hub also enables control and monitoring of all AirLink™ devices.

FEATURES

- Control available in a variety of button marking options
- Easy reconfiguration for use as:
 - Handheld remote
 - Wall-mount control (with or without faceplate; faceplate adapter kit sold separately)
 - A table top control (table top pedestal sold separately)
- Battery-powered. Requires no wiring
- 10 year battery life (one CR2032 battery included)
- Can provide control of blinds, curtains, or lighting devices within a range of 30ft (9m) through walls and 60ft (18m) line-of-sight

APPLICATIONS

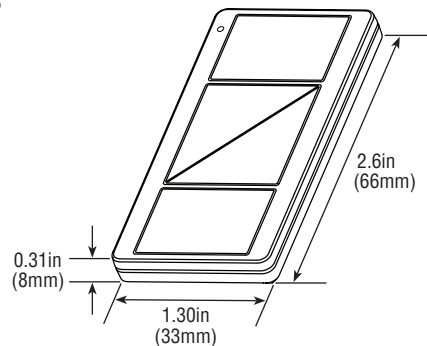
- Small offices • Conference rooms • Lounges • Classrooms

SPECIFICATIONS



ELECTRICAL	
Regulatory Approvals	<ul style="list-style-type: none"> • Lutron Quality Systems registered to ISO 9001:2008. • FCC Certified (U.S.A.) • IC Certified (Canada) • COFETEL Certified (Mexico) • SUTEL Certified (Costa Rica) • Anatel Certified (Brazil)
Power	<ul style="list-style-type: none"> • Operating Voltage: 3V--- • (1) CR2032 Battery (included)
SYSTEM	
System Communication and Capacity	<ul style="list-style-type: none"> • Communicates using Radio Frequency (RF) at 431MHz to 437MHz. • Thousands of system addresses prevent interference between systems. • Can be assigned to control blinds, curtains or lighting devices that are within a 30 ft (9 m) range.
ENVIRONMENTAL	
Ambient Operating Temperature	32°F to 140°F (0°C to 60°C)
Relative Humidity	Maximum 90% non-condensing; indoor use only
OTHER	
Mounting Considerations	<ul style="list-style-type: none"> • Mounting of any RF devices on or in close proximity to a metal surface will drastically reduce the effective range of radio signal transmission or reception • All RF devices must be mounted on non-conductive materials to ensure proper performance
Warranty	1 Year Limited Warranty

DIMENSIONS



OPERATIONS

Indicator LED
Flashes to indicate a button press or when unit is in programming mode

Top Button
Lights brighten to full intensity

Raise Button
Lights increase in intensity

Lower Button
Lights decrease in intensity

Bottom Button
Lights dim to OFF

ORDERING INFORMATION All switches and wall kits available in White (WHT), Ivory (IV), and Light Almond (LA) Example: 624105WHT or ALWS-3B-WHT

PART NO.	CATALOG NO.	DESCRIPTION
624100WHT	ALWS-2B-WHT	Wireless Switch 2 Button in White
624100IV	ALWS-2B-IV	Wireless Switch 2 Button in Ivory
624100LA	ALWS-2B-LA	Wireless Switch 2 Button in Light Almond



Project Name _____ Catalog # _____

1-800-436-7800 (Support, Option 8) www.lsi-airlink.com

04/25/17

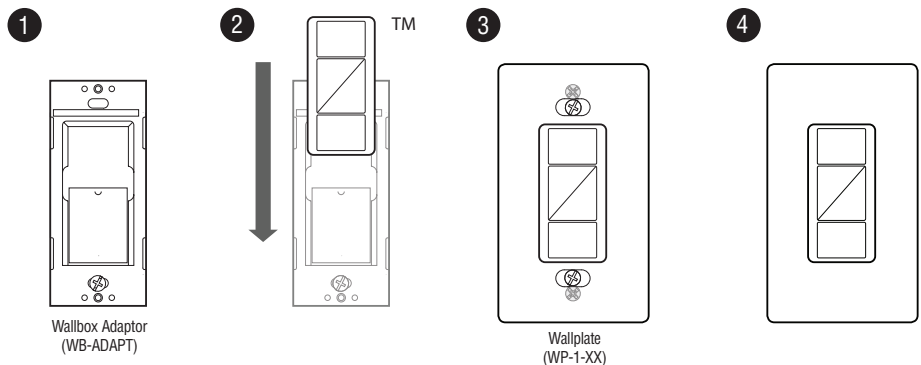
© 2017
LSI INDUSTRIES INC.

WIRELESS SWITCH ACCESSORIES

WIRELESS SWITCH WALL MOUNTING ACCESSORIES

The 3 button wireless switch can be purchased with a wall mounting kit (see previous page, catalog number: ALWS-3B-XX-KIT) which includes a wallbox adaptor and a wallplate. These accessories can also be purchased separately (see ordering info below).

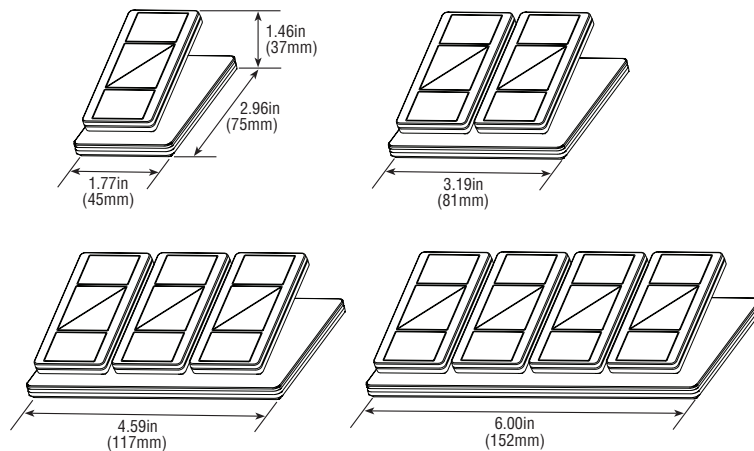
See the 4-step mounting instructions (to the right) for accessory drawings.



WIRELESS SWITCH TABLETOP PEDESTAL ACCESSORIES

The wireless switch can also be attached to a pedestal for handheld or tabletop control. They can be purchased in 1, 2, 3, or 4 gang. All pedestals come in white with a glossy finish. Note that the pedestals are sold separately from the wireless switches and other accessories.

See drawings (to the right) for 1–4 gang pedestal dimensions. Pedestals (with attached wireless switches) can control lighting devices that are within a 30 ft (9 m) range.



ORDERING INFORMATION

WALL MOUNTING ACCESSORY ORDERING INFORMATION

All wallplates are available in White (WHT), Ivory (IV), and Light Almond (LA)
Example: 624124WHT or WP-1-WHT

PART NO.	CATALOG NO.	DESCRIPTION	SWITCH CAPACITY
624123	WB-ADAPT	Wallbox Adaptor	1
624124WHT	WP-1-WHT	Wallplate 1 Gang in White	1
624124IV	WP-1-IV	Wallplate 1 Gang in Ivory	
624124LA	WP-1-LA	Wallplate 1 Gang in Light Almond	
624125WHT	WP-2-WHT	Wallplate 2 Gang in White	2
624125IV	WP-2-IV	Wallplate 2 Gang in Ivory	
624125LA	WP-2-LA	Wallplate 2 Gang in Light Almond	
624127WHT	WP-3-WHT	Wallplate 3 Gang in White	3
624127IV	WP-3-IV	Wallplate 3 Gang in Ivory	
624127LA	WP-3-LA	Wallplate 3 Gang in Light Almond	
624128WHT	WP-4-WHT	Wallplate 4 Gang in White	4
624128IV	WP-4-IV	Wallplate 4 Gang in Ivory	
624128LA	WP-4-LA	Wallplate 4 Gang in Light Almond	

TABLETOP PEDESTAL ACCESSORY ORDERING INFORMATION

PART NO.	CATALOG NO.	DESCRIPTION	SWITCH CAPACITY
624110	P-1-WHT	Pedestal 1 Gang in White	1
624111	P-2-WHT	Pedestal 2 Gang in White	2
624113	P-3-WHT	Pedestal 3 Gang in White	3
624114	P-4-WHT	Pedestal 4 Gang in White	4

Lutron and Clear Connect are trademarks of Lutron Electronics Co., Inc., registered in the U.S. and other countries, used under license. The designs of the Pico wireless remote control and the wireless hub shown in this document are trademarks of Lutron Electronics Co., Inc., used under license.

