

GOLD CONTROL MODULE (GCM)

PRODUCT DESCRIPTION

LSI Controls' Gold Control Module (GCM) is one of the components of a Gold Outdoor Wireless Lighting Control System. Each GCM provides the capability to dim or switch an individual lighting fixture. The GCM can be programmed remotely over a wireless mesh network so lighting levels and time of day schedules can be easily changed based on the building owner's requirements. The GCM can be retrofitted into an existing dimmable lighting fixture or it can be pole mounted if there is no room in the existing lighting fixtures. Each GCM provides a line voltage relays to switch the lights on and off, radio, and a 0-10Vdc output to control dimmable lighting fixtures. The GCM Kit consists of the controller, surge protector, coax cable, pole mount tether, straight or right angle antenna.

The Gold Wireless Lighting Control System is comprised of one Gold Site Manager software and Radio Module (GSM PC), one Gold Override Switch (GOV), Gold Control Modules (GCM) for each lighting fixture, optional Gold Motion Sensor Overrides (GMO), optional Gold Photo Sensors (GPH), optional Gold Zone Controller (GZC) and optional Gold Circuit Controllers (GCC).

The Gold Outdoor Wireless Lighting Control System communicates using a 915 MHz mesh radio network employing the standard 802.15.4 protocol. Each unit functions as a repeater extending the wireless mess network. Typical range between wireless devices: 300 feet (approx. 100m) outdoors with line-of-sight.

MOUNTING- Mounting feet provided for mounting in fixtures. See drawing. To mount in a pole, order optional pole mounting kit. See Accessories.

ELECTRICAL -

Relay Output Rating: GCM UE (100-277VAC), 5A; GCM HV (480VAC), 3A.

Supply Power: GCM UE: 120-277 VAC; GCM HV: 200-480 VAC

Dimming Output: 0-10Vdc

AC Input Leads: Allows for an input signal (120-480 VAC) from a line voltage photo or motion sensor.

OPERATING TEMPERATURE - -40°C to +70°C (-40°F to +160°F).

10-95% non-condensing, 7000' altitude or less.

WARRANTY - LSI Controls components carry a limited 5-year warranty

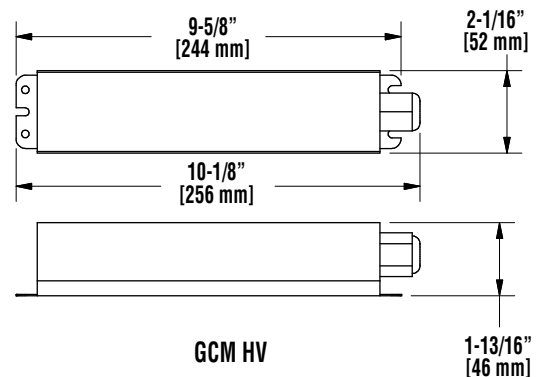
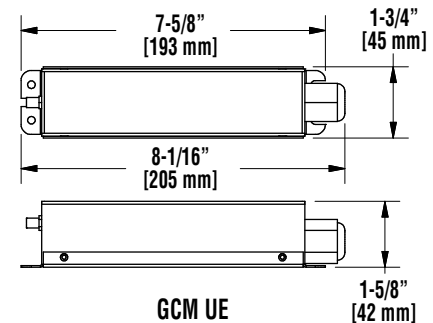
SHIPPING WEIGHT (IN CARTON) - GCM UE Controller 1.6 lbs. / .72 Kg

GCM HV Controller 2.2 lbs. / 1.0 Kg

CERTIFICATIONS – Listed to US and Canadian safety standards. RoHS Compliant.



DIMENSIONS



This product, or selected versions of this product, meet the standards listed below. Please consult factory for your specific requirements.



ORDERING INFORMATION

TYPICAL ORDER EXAMPLE: **GCM UE**

CAT NO.	INPUT VOLTAGE	ANTENNA
GCM - Gold Control Module Kit	UE – Universal Electronic Voltage (120 – 277) HV (347-480)	(BLANK) - straight 90 - right angle

ACCESSORIES

CAT NO.	DESCRIPTION	ORDER NUMBER
ANT 25 EXT	25' Antenna Extender Cable	570581
ANT 50 EXT	50' Antenna Extender Cable	570582

