

# PLATINUM CONTROL MODULE (PCM)

## PRODUCT DESCRIPTION

LSI Controls' Platinum Control Module (PCM) is one of the components of a Platinum Outdoor Wireless Lighting Control System. Each PCM provides the capability to dim or switch an individual lighting fixture. The PCM can be programmed remotely over a wireless mesh network so lighting levels and time of day schedules can be easily changed based on the building owner's requirements. The PCM can be retrofitted into an existing dimmable lighting fixture or it can be pole mounted if there is no room in the existing lighting fixtures. Each PCM provides a line voltage relays to switch the lights on and off, radio, and a 0-10Vdc output to control dimmable lighting fixtures. Can be ordered as a single or dual load controller. The PCM Kit consists of the controller, surge protector, coax cable, pole mount tether, straight or right angle antenna.

The Platinum Wireless Lighting Control System is comprised of one Platinum Site Manager (PSM), one Platinum Override Switch (POV), Platinum Control Modules (PCM) for each lighting fixture, optional Platinum Motion Sensor Overrides (PMO), optional Platinum Photo Sensors (PPH), optional Platinum Zone Controller (PZC) and optional Platinum Circuit Controllers (PCC).

The Platinum Outdoor Wireless Lighting Control System communicates using a 915 MHz mesh radio network employing the standard 802.15.4 protocol. Each unit functions as a repeater extending the wireless mess network. Typical range between wireless devices: 300 feet (approx. 100m) outdoors with line-of-sight.

**MOUNTING-** Mounting feet provided for mounting in fixtures. See drawing. To mount in a pole, order optional pole mounting kit. See Accessories.

## ELECTRICAL -

Relay Output Rating: PCM UE SG (100-277VAC), 5A; PCM HV SG (480VAC), 5A.

Supply Power: PCM UE DU: (120-277 VAC), 10A; PCM HV DU: 120-480 VAC

Dimming Output: 0-10VDC

AC Input Leads: Allows for an input signal (120-480 VAC) from a line voltage photo or motion sensor.

**OPERATING TEMPERATURE** - -40°C to +70°C (-40°F to +160°F). 10-95% non-condensing, 7000' altitude or less.

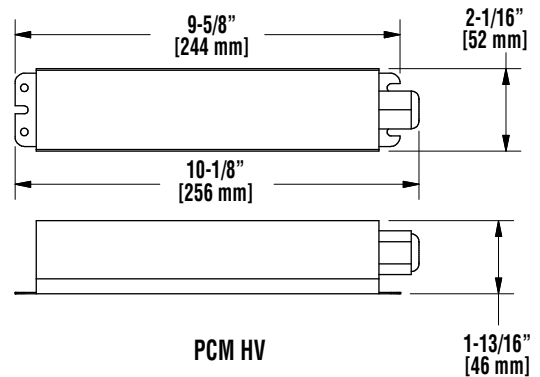
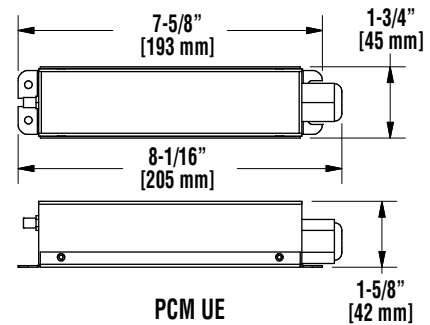
**WARRANTY** - LSI Controls components carry a limited 5-year warranty

**SHIPPING WEIGHT (IN CARTON)** - PCM UE Controller 1.6 lbs. / .72 Kg  
PCM HV Controller 2.2 lbs. / 1.0 Kg

**CERTIFICATIONS** – Listed to US and Canadian safety standards. RoHS Compliant.



## DIMENSIONS



This product, or selected versions of this product, meet the standards listed below. Please consult factory for your specific requirements.



## ORDERING INFORMATION

TYPICAL ORDER EXAMPLE: **PCM UE SG**

| CAT NO.                           | INPUT VOLTAGE   | LOAD                     | ANTENNA                                |
|-----------------------------------|---|--------------------------|--|
| PCM - Platinum Control Module Kit | UE - Universal Electronic Voltage (120 - 277)<br>HV (347-480) | SG - Single<br>DU - Dual | (BLANK) - straight<br>90 - right angle |

## ACCESSORIES

| CAT NO.    | DESCRIPTION                | ORDER NUMBER |
|------------|----------------------------|--------------|
| ANT 25 EXT | 25' Antenna Extender Cable | 570581       |
| ANT 50 EXT | 50' Antenna Extender Cable | 570582       |

