



AirLink™ Wireless Lighting Controller

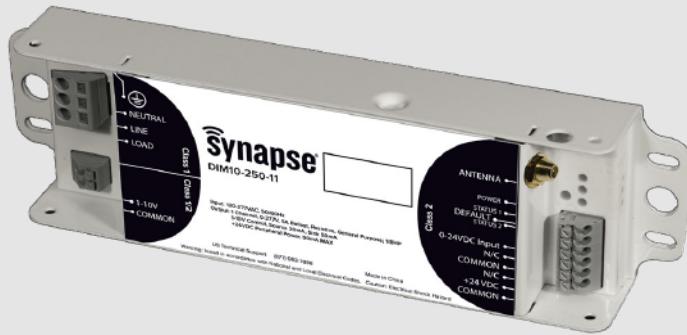
enabled by Synapse®

Project name

Prepared by

/ / Date

Catalog #: **ALSC UNV**
Part #: **661408**



The ALSC-UNV is a California Title 24 compliant lighting controller that provides real-time light monitoring and control with utility-grade power monitoring. It includes a 24V sensor input and power supply to connect up to two (2) sensors into the outdoor AirLink wireless lighting system.

Applications



Auto dealerships



Warehouses



Shopping centers



Parking facilities

Features

- 2% Utility Grade Power Monitoring
- Up to 80% Savings through smart dimming
- True On/Off functionality via switched relay
- Seamlessly integrates into the outdoor AirLink wireless lighting control solution and Self-healing Mesh Networking
- Relay closes on power loss
- Supports a wide range of LED drivers and fixtures
- Class 1 / Class 2 0-10V Dimming Control
- Direct Connect up to two (2) 24V Occupancy Sensors and Photocells (consult sales for compatible list)
- Secure, over-the-air upgrades to support future enhancements
- Excellent RF Range – 1,000ft LoS between controllers
- Available in a metal cased version with quick connect terminal blocks
- Lights default to on for safety

Certifications & Affiliations



Specifications

Regulatory Approvals

- FCC, IC, CE certified
- cULus Listed
- California Title 24 compliant

Power and Performance

- Operating environmental: -40°F to 131°F (-40°C to 55°C)
- Input power: 100–277 VAC +/- 10% (Max 305V)47/64 Hz
- Switched output: Default ON; Zero Cross Switching
- Load rating: 5A @ 100V to 277V (+/- 10%)
- Dimming: 0–10V control; Output: Class 1/2 - 20mA Source Max / 50mA Sink Max
- Power monitoring: Utility grade - 2% accuracy
- Sensors inputs: 0–10V (photocell sensors), 0–24V (all other sensors); Sensor power supply: 24VDC @ 50mA

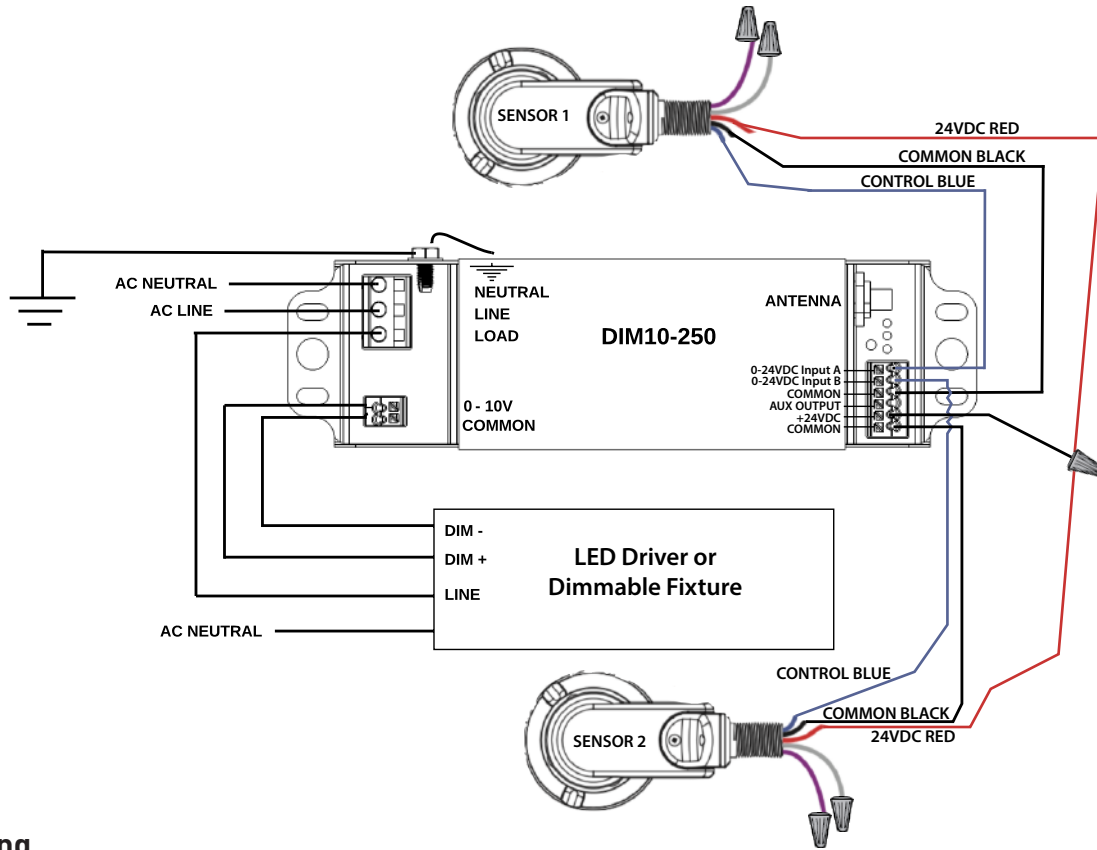
Other

- Dimensions: 8.2" L x 2.3" W x 1.3" H (209mm L x 59mm W x 33mm H) without antennas
- Radio: SNAP 2.4 GHz; 802.15.4; +20 dBm Transmit Power; -105 dBm Receive Sensitivity
- Warranty: limited 5-year warranty



AirLink™ Wireless Lighting Controller

enabled by Synapse®



Wiring

Class 1 Terminal Block (accepts 12–28 AWG wires)

Neutral: AC Return
 Line: 100–277 VAC (+/- 10%)
 Load: Switched AC Load

Class 1/2 Terminal Block (accepts 18–20 AWG wires)

1–10V: Dim +
 Common: Dim–

Class 2 Terminal Block (accepts 18–20 AWG wires)

0–24V Input: Sensor input
 N/C: Do not connect
 Common: Sensor DC Return
 N/C: Do not connect
 +24 VDC: Sensor power supply
 Common: Sensor power supply return

LED Indicators

Power LED: Power On
 Status1 LED: Reserved for future use
 Status2 LED: Relay status - On/Off

Ordering Information

Part #	Catalog #	Description
661408	ALSC UNV	AirLink Synapse – Controller UNV

Contact LSI Controls

Sales
controls.sales@lsi-industries.com

Support
controls.support@lsi-industries.com
 1 (800) 436-7800 (support, option 8)

More information
 For more information on AirLink, visit our website at www.lsi-airlink.com/airlink